

Shaded Pole Motor Technical Information

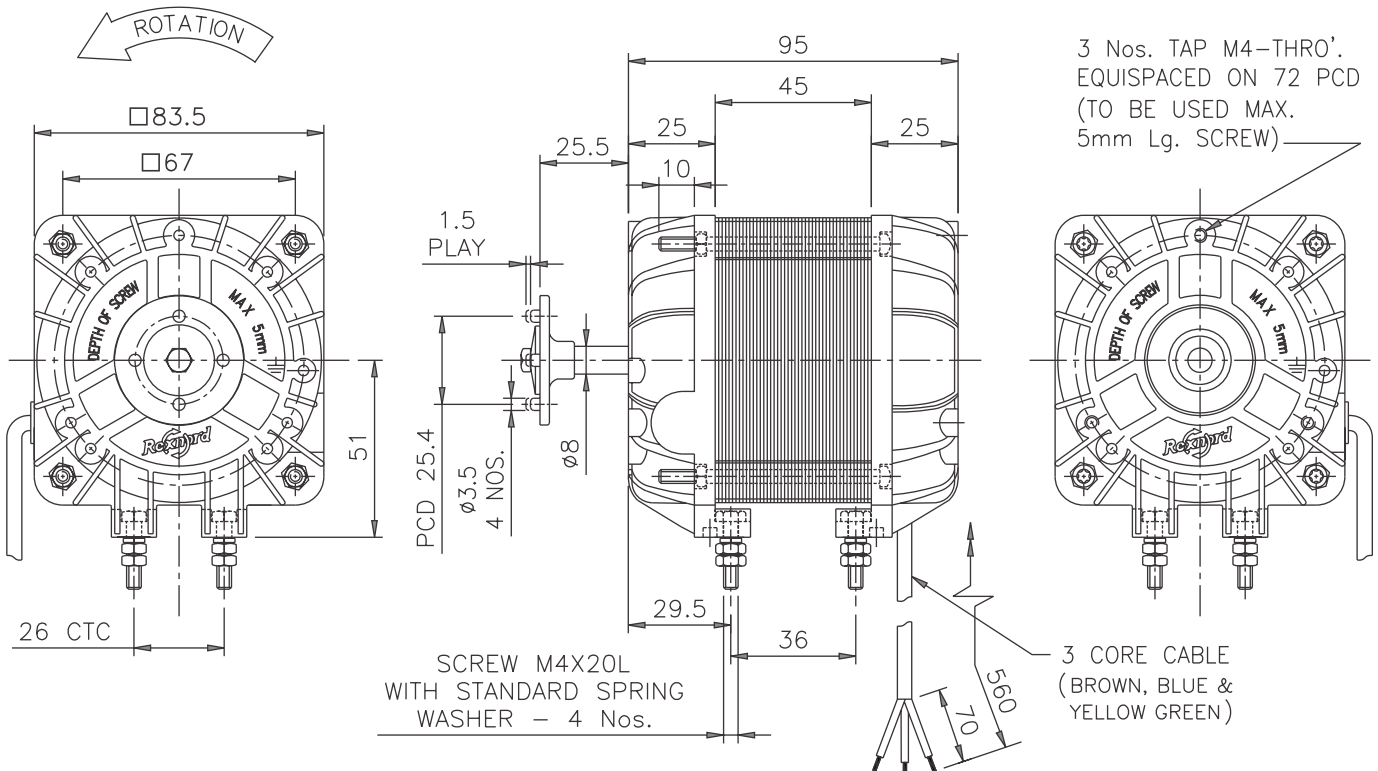
AX8345-34A2



| | |
|-------------------------------|----------------------------|
| Motor Design: | Shaded Pole Motor |
| Housing: | Aluminium Die-cast |
| Bearing: | Sleeve |
| Operating Voltage: | 230V (185-245VAC) |
| Dielectric Strength: | AC 1500V for 1 minute |
| Insulation: | Class B |
| Insulation Resistance: | Above 100M Ohms at 500 VDC |
| Connection: | Lead Wire |
| Motor Protection: | Thermal Protected |
| Direction of Rotation: | CCW |
| Operating Temperature: | -40°C to +40°C |
| Net Weight: | 2140g |
| Feature: | 4 Mounting Legs |

| Model | Bearing | Voltage V | Frequency Hz | Current A | Input Power W | Output Power W | Speed RPM |
|-------------|---------|-----------|--------------|-----------|---------------|----------------|-------------|
| AX8345-34A2 | Sleeve | 230 | 50 / 60 | 0.65 | 90 | 34 | 1300 / 1500 |

Coding Note: 34 = 34W A = Sleeve Bearing 2 = 230 Volt



* Specifications subject to change without notice