

Shaded Pole Motor Technical Information

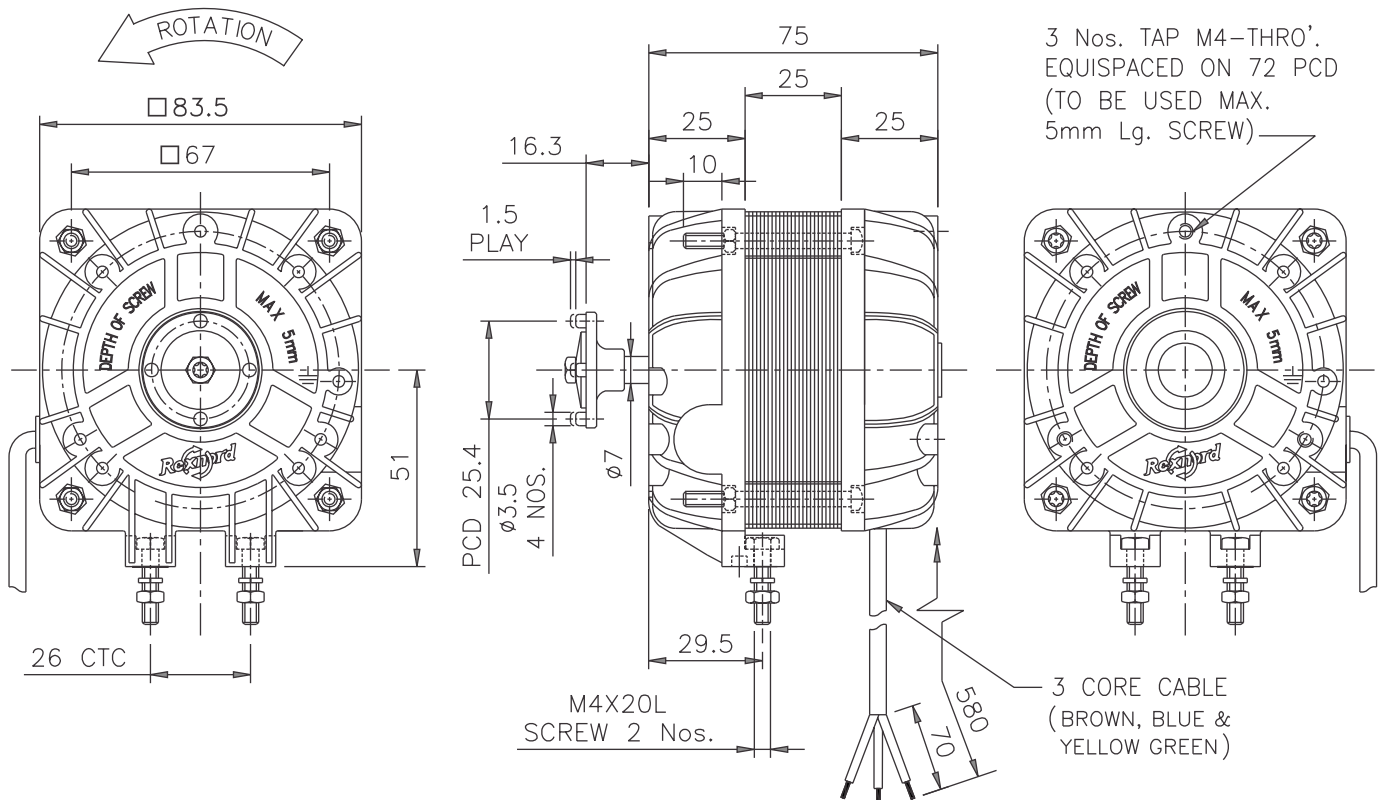
AX8325-16A2



Motor Design:	Shaded Pole Motor
Housing:	Aluminium Die-cast
Bearing:	Sleeve
Operating Voltage:	230V (185-245VAC)
Dielectric Strength:	AC 1500V for 1 minute
Insulation:	Class B
Insulation Resistance:	Above 100M Ohms at 500 VDC
Connection:	Lead Wire
Motor Protection:	Thermal Protected
Direction of Rotation:	CCW
Operating Temperature:	-40°C to +40°C
Net Weight:	1300g

Model	Bearing	Voltage V	Frequency Hz	Current A	Input Power W	Output Power W	Speed RPM
AX8325-16A2	Sleeve	230	50 / 60	0.36	54	16	1300 / 1500

Coding Note: 16 = 16W A = Sleeve Bearing 2 = 230 Volt



* Specifications subject to change without notice