

## Shaded Pole Motor Technical Information

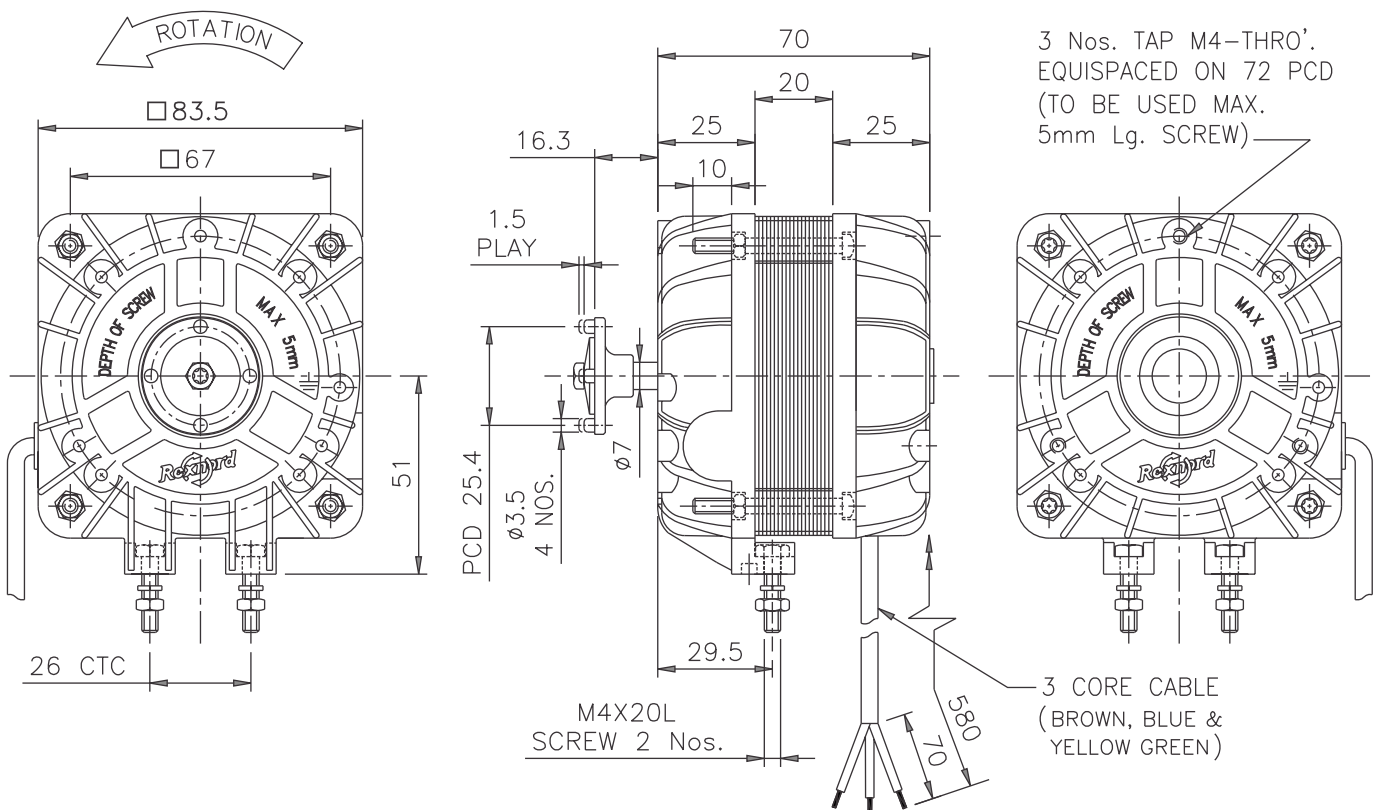
### AX8320-10A2



<b>Motor Design:</b>	Shaded Pole Motor
<b>Housing:</b>	Aluminium Die-cast
<b>Bearing:</b>	Sleeve
<b>Operating Voltage:</b>	230V (185-245VAC)
<b>Dielectric Strength:</b>	AC 1500V for 1 minute
<b>Insulation:</b>	Class B
<b>Insulation Resistance:</b>	Above 100M Ohms at 500 VDC
<b>Connection:</b>	Lead Wire
<b>Motor Protection:</b>	Impedance Protected
<b>Direction of Rotation:</b>	CCW
<b>Operating Temperature:</b>	-40°C to +40°C
<b>Net Weight:</b>	1080g

Model	Bearing	Voltage V	Frequency Hz	Current A	Input Power W	Output Power W	Speed RPM
AX8320-10A2	Sleeve	230	50 / 60	0.30	40	10	1300 / 1500

Coding Note: 10 = 10W    A = Sleeve Bearing    2 = 230 Volt



\* Specifications subject to change without notice