

## Shaded Pole Motor Technical Information

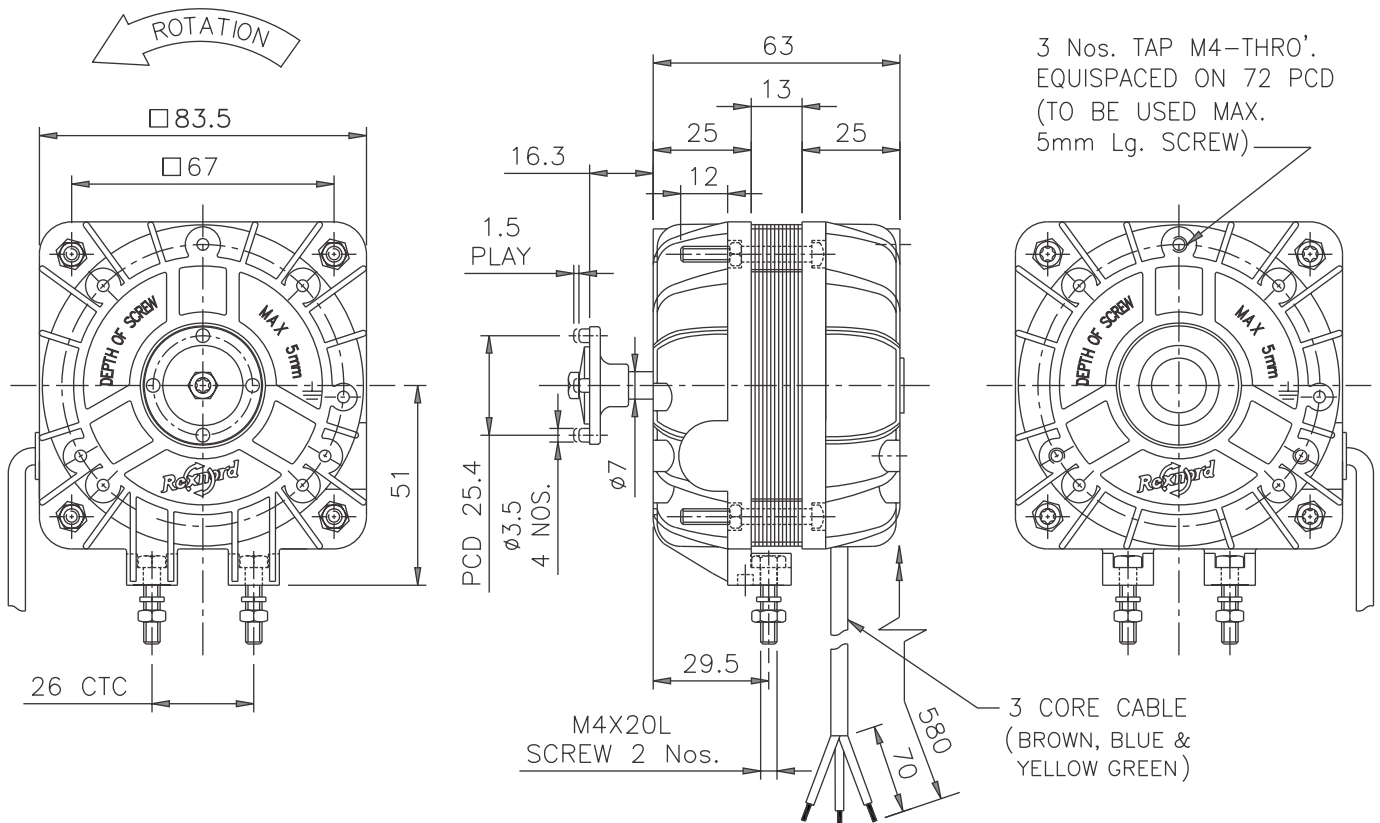
### AX8313-05A2



|                               |                            |
|-------------------------------|----------------------------|
| <b>Motor Design:</b>          | Shaded Pole Motor          |
| <b>Housing:</b>               | Aluminium Die-cast         |
| <b>Bearing:</b>               | Sleeve                     |
| <b>Operating Voltage:</b>     | 230V (185-245VAC)          |
| <b>Dielectric Strength:</b>   | AC 1500V for 1 minute      |
| <b>Insulation:</b>            | Class B                    |
| <b>Insulation Resistance:</b> | Above 100M Ohms at 500 VDC |
| <b>Connection:</b>            | Lead Wire                  |
| <b>Motor Protection:</b>      | Impedance Protected        |
| <b>Direction of Rotation:</b> | CCW                        |
| <b>Operating Temperature:</b> | -40°C to +40°C             |
| <b>Net Weight:</b>            | 860g                       |

| Model       | Bearing | Voltage<br>V | Frequency<br>Hz | Current<br>A | Input Power<br>W | Output Power<br>W | Speed<br>RPM |
|-------------|---------|--------------|-----------------|--------------|------------------|-------------------|--------------|
| AX8313-05A2 | Sleeve  | 230          | 50 / 60         | 0.17         | 27               | 5                 | 1300 / 1500  |

Coding Note: 05 = 5W    A = Sleeve Bearing    2 = 230 Volt



\* Specifications subject to change without notice