

Ex II 3 G, Ex nA h IIA T4 Gc
T_{amb} -30°C to +60°C
US/UL/ExTR15.0133/00
WARNING - DO NOT OPEN WHEN ENERGISED

Atex Label

Connection Diagram

DOR : CCW-DE
 BROWN -PHASE
 BLUE -NEUTRAL
 BLACK -PHASE or NEUTRAL or N/C

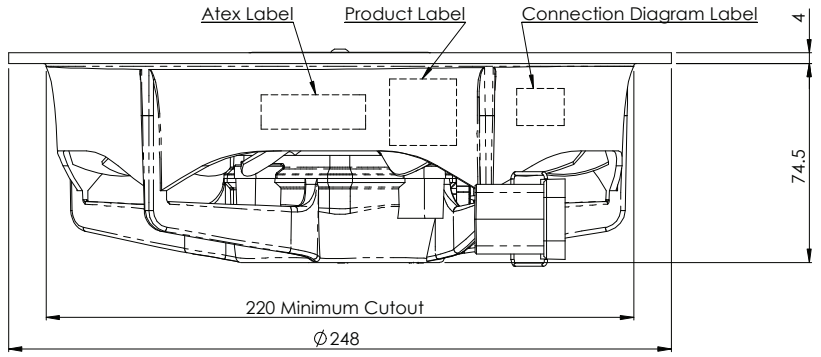
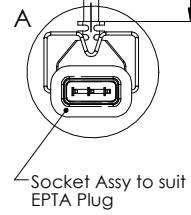
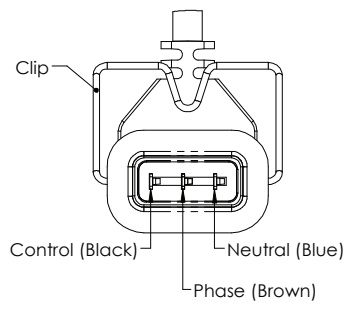
Connection Diagram Label

Wellington
ECF2-8AXJ21
 INPUT: 100-240Vac, 50-60Hz, 0.19-0.10A
 OUTPUT : 13W@1800rpm
 EP -30° to +50°C, DOR : CCW-DE
 Speed Control 1650 rpm

CE
 IP67
 -30° to +60°C

Product Label

DETAIL A



MOTOR RATING

PRODUCT CODE	Max Output Watts @ Corresponding rpm	Supply voltage, Frequency	DOR, Mode of Operation
ECF2-8AXJ21	13 Watts @ 1800 rpm	100-240Vac, 50-60Hz	CCW Continuous, Speed Control 1650 rpm

NOTES:
 1. Refer operation instructions for installation details.

n/a	1	n/a	Initial release	22/10/2019	BPI	ASo
ZONE	ISSUE	ECN	BRIEF NOTE	DATE	DRAWN	CHKD

DO NOT SCALE OFF DRAWING

Wellington
 www.wdfl.com

The information contained in this drawing is confidential. Reproduction of this document in any form is subject to explicit written permission.
 © COPYRIGHT 2014 - 2019 Wellington Drive Technologies Ltd

Description: **Fan Pack Assembly**

Product Code: Refer to table above

Orthographic Projection
 Third Angle

LIFECYCLE STATE
Production Released

Scale: Dimension Units
 mm

Sheet size: A3

GENERAL TOLERANCE
 LINEAR ±1mm
 ANGULAR ±3°

DWG No.: ECF2-8AXJ21

Sheet 1 of 1