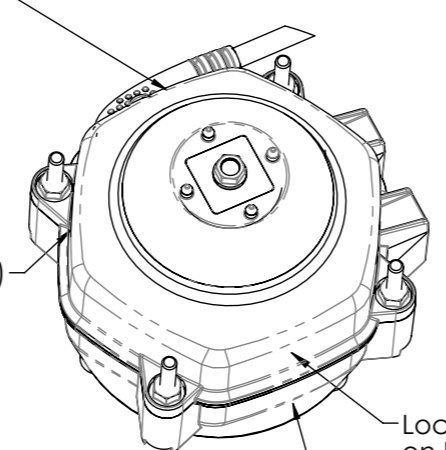


Location of Connection Diagram Label (on DE housing surface above the power cable)

Location of Batch Code Label (on DE housing surface adjacent to mounting screw)



Location of Atex Label on DE housing surface

Location of Product Label on NDE housing surface

- Note:
- Motor rating Refer to table.
 - Refer operating instructions for installation details
 - Accessories to be supplied along with the motor in a bag per pallet basis. Pt No: 3KA100022 which includes Foot mount kit and Rear mount kit.
 - Rect HD Screw for foot mounting, Qty. 2
 - Flange Hex Full nut with serrations for foot mounting, Qty. 2
 - Plastite Screw for rear mounting, Qty. 4

MOTOR RATING

PRODUCT CODE	Max Output Watts @ Corresponding rpm	Supply voltage, Frequency	DOR, Mode of Operation
ECR2-0B01	13 Watts @ 1800 rpm	100-240Vac, 50-60Hz	CCW-DE Continuous, Timed reverse - 3 minutes CW-DE Speed Control 1300 rpm (Refer connection diagram)

Ex II 3 G, Ex nA IIA T4
T_{amb} -30°C to +60°C
US/UL/ExTR15.0133/00
 Do not open when energised

Atex Label

Connection Diagram

CW-DE Timed reverse Speed Control 1300 rpm	CCW-DE Continuous Speed Control 1300 rpm
BROWN — PHASE	BROWN — PHASE
BLUE — NEUTRAL	BLUE — NEUTRAL
BLACK — NEUTRAL or N/C	BLACK — PHASE

Connection Diagram Label

Wellington®
ECR2-0B01

INPUT :100-240Vac,50-60Hz,0.19-0.10A
 OUTPUT : 13W@1800rpm
 DOR:CCW-DE/ Timed reverse CW-DE 3min
 Speed control 1300rpm
 EP -30° to +50°C

CE **UL** **US**

VDE IP67
 REG. Nr. E804
 -30° to +60°C Made in Vietnam

Product Label

DO NOT SCALE OFF DRAWING

Wellington®
 www.wdfl.com

The information contained in this drawing is confidential. Reproduction of this document in any form is subject to explicit written permission.
 © COPYRIGHT 2004 - 2009 Wellington Drive Technologies Ltd

Description: **Dimensional Drawing**

Product Code: Refer to table above

Orthographic Projection

Third Angle

LIFECYCLE STATE: **Production Released**

Scale: NTS

Dimension Units: mm

Sheet size: A3

Sheet: 1 of 1

GENERAL TOLERANCE: LINEAR ±1mm, ANGULAR ±3°

DWG No.: ECR2-0B01

N/A	1	NA	Initial Issue	02/08/2017	BPI	ASo
ZONE	ISSUE	ECN	DESCRIPTION	DATE	DRAWN	CHECKED